

INTRINSICALLY SAFE SIREN WITH BULB

AE/IS-SFK

Description

The intrinsically safe siren with focus is designed for use in potentially explosive atmospheres such as Group I (Mining) and Group II (surface industries) and incorporates an IP66 enclosure protection.

It has a two stage alarm option and has a total of 32 tones selectable via a DIP switch on the PCB, it produces up to 105dB at 1 meter.

Its installation is easy and fast.

Connections are made to the base during the initial wiring phase, resulting in a faster and more reliable installation.

The siren head rotates and clicks into the pre-set base at commissioning, thus avoiding any additional wiring and connections.

This unit must be used in conjunction with a certified Zener Barrier or Galvanic Isolator.

The characteristics must not exceed:

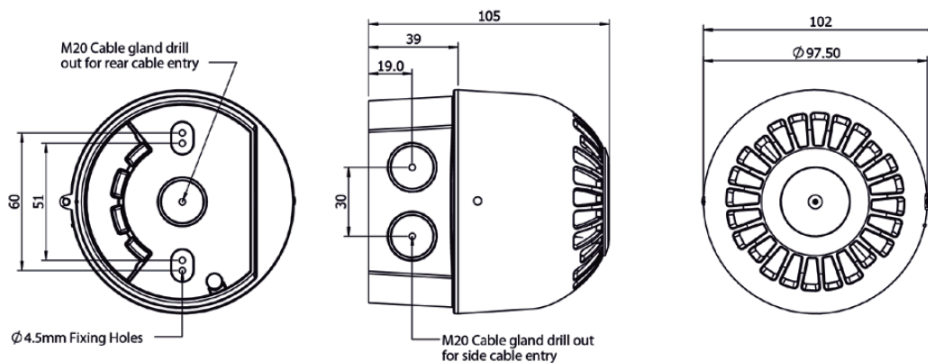
Uo: 28v, Io: 93mA, Po: 660mW, Ci: 0, Li 0.

Uomin: 23.6v

Iomin: 50mA.



Dimensions



TECHNICAL CHARACTERISTICS

Biased diode and end-of-line resistor compatible
 Dustproof and weather resistant.

Base Color: red

Lens Color: red

Max sound level: 105 dB(A) 1m

Number of tones: 32

Power supply: 24 Vdc

Max consumption: 33 mA

CERTIFICATIONS

ATEX, IECEx Approved

Group I MI Ex ia I Ma

Group II I GD Ex ia IIC T6 Ga, Ex ia IIIC T85°C Da

Zones 0, 1, 2, 20, 21 and 22

Complies with: EN 60079-0:2012 + All:2013 (IEC 60079-0:2011)

EN-60079-11:2012 + (IEC 60079-11:2011)